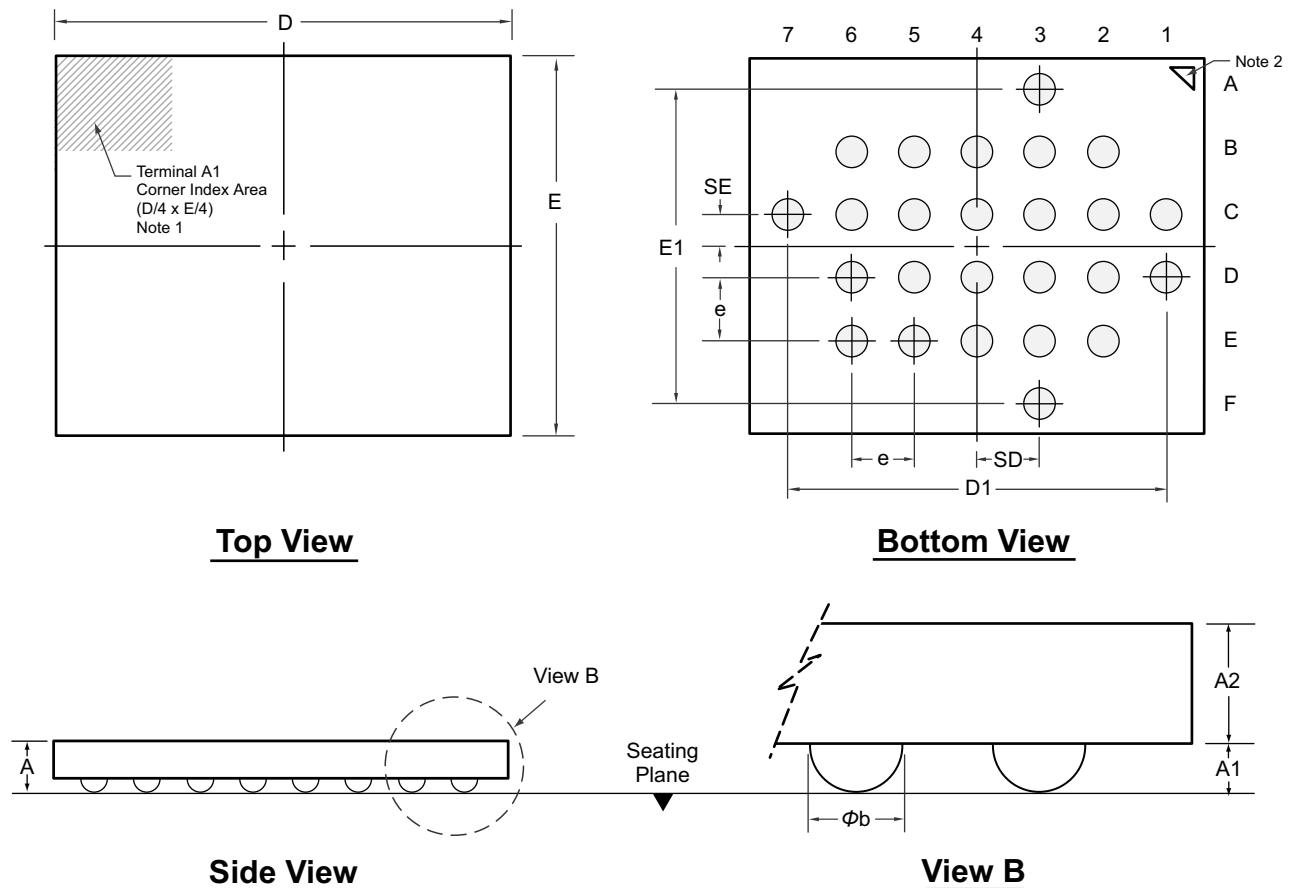


25-Ball fpBGA Package Outline (GA)

5.70x5.00mm body, 1.20mm height (max), 0.75mm pitch



Notes:

1. A ball A1 identifier must be located in the index area indicated. The ball A1 identifier can be: a molded mark/identifier; an embedded metal marker; or a printed indicator.
2. Corner A1 identifier (actual shape may vary).

Symbol	A	A1	A2	ϕ_b	D	D1	E	E1	e	SD	SE	
Dimension (mm)	MIN	0.844	0.18	0.664	0.25	5.60	4.50 BSC	4.90	3.75 BSC	0.75 BSC	0.75 BSC	0.375 BSC
	NOM	0.994	0.23	0.764	0.30	5.70		5.00				
	MAX	1.200	0.28	0.864	0.35	5.80		5.10				

Drawings not to scale.

Supertex Doc. #: DSPD-25fpBGAGA, Version B092208.

Supertex inc. does not recommend the use of its products in life support applications, and will not knowingly sell them for use in such applications unless it receives an adequate "product liability indemnification insurance agreement." **Supertex inc.** does not assume responsibility for use of devices described, and limits its liability to the replacement of the devices determined defective due to workmanship. No responsibility is assumed for possible omissions and inaccuracies. Circuitry and specifications are subject to change without notice. For the latest product specifications refer to the **Supertex inc.** (website: <http://www.supertex.com>)