

**Product
Summary
Sheet**

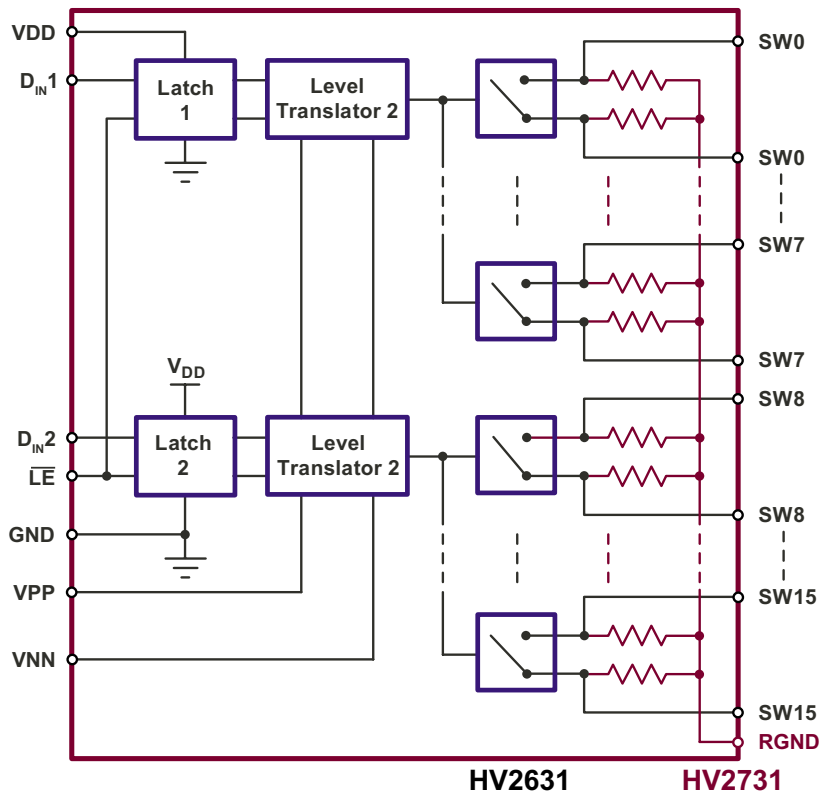
**16-Channel (2 Banks of 8-Channel),
High Voltage Analog Switches**

Applications:

- ▶ Medical ultrasound imaging
- ▶ Non-destructive evaluation



48-Lead LQFP (FG)



Block Diagram

Product Overview:

The Supertex HV2631 and HV2731 are 220V, 16-channel, high voltage analog switch integrated circuits (ICs). The HV2731 features integrated output bleed resistors (R_{INT}), which help to significantly reduce voltage built up on capacitive loads such as piezoelectric transducers connected to the outputs. The output switches are configured as 2 sets of 8 single pole, single throw analog switches. The ICs are intended to be used in applications requiring high voltage switching controlled by low voltage control signals, such as ultrasound imaging.

The 2 sets of 8 analog switches are controlled by 2 input logic controls, D_{IN1} and D_{IN2} . A logic high on D_{IN1} will turn on switches 0 to 7, while a logic high on D_{IN2} will turn on switches 8 to 15.

| Features: | Benefits: |
|--|--|
| Very low quiescent current (-10uA) | Low heat dissipation, increased reliability |
| Low parasitic capacitance | Reduces return signal attenuation |
| Up to 220V operating voltage | Provides deeper imaging capability in ultrasound applications |
| 22Ω switch on-resistance | Improved signal-to-noise ratio |
| Large voltage supply ranges | Permits operation at various voltages for optimum performance in a variety of applications |
| Integrated bleed resistors in the HV2731 | Prevent random movement of unenergized transducers |



16-Channel (2 Banks of 8-Channel), High Voltage Analog Switches

Ordering Information / Availability

| <u>Part Number</u> | <u>Package Option</u> | <u>Samples</u> | <u>Lead Time</u> |
|--------------------|-----------------------|----------------|------------------|
| HV2631FG-G | 48-Pin LQFP (Green) | Now | 4-6 Weeks |
| HV2731FG-G | 48-Pin LQFP (Green) | | |

-G indicates the part is RoHS compliant (Green).



Product Contact

For any questions regarding the HV2631 or the HV2731, please contact your local area Supertex sales office, or contact the main office in the US at:

Telephone: 800-222-8888
 Fax: 408-222-4895
 EMail: mktg@supertex.com
 Website: www.supertex.com

Supertex inc.
 1235 Bordeaux Drive, Sunnyvale, CA 94089