

Product Summary Sheet

Applications:

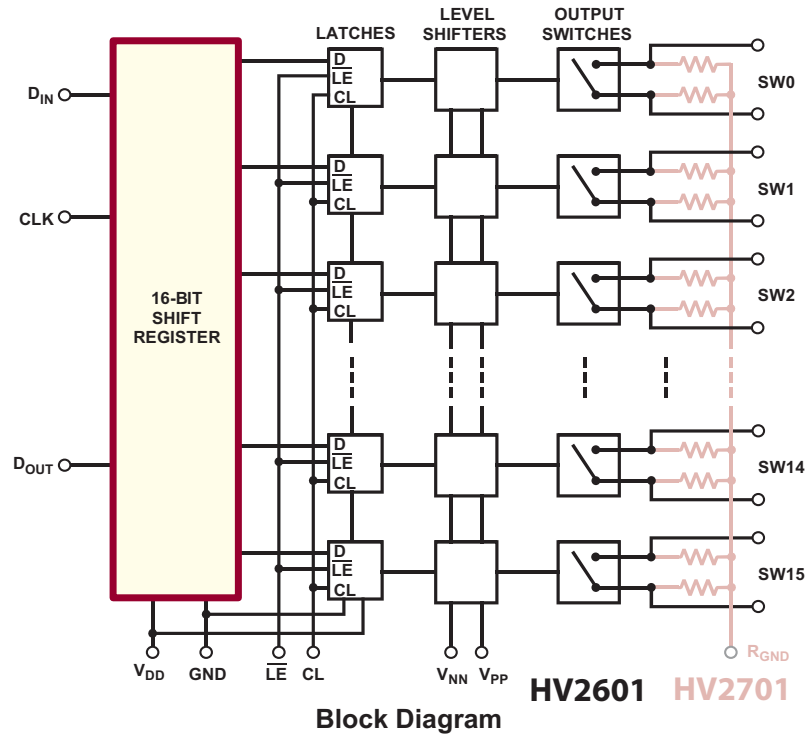
- ▶ Medical ultrasound imaging
- ▶ NDT metal flaw detection
- ▶ Piezoelectric transducer drivers
- ▶ Optical MEMS modules



48-Lead LQFP (FG)
(7x7x1.4mm)

HV2601/HV2701

Low Charge Injection 16-Channel High Voltage Analog Switches



Product Overview:

The Supertex HV2601 and HV2701 are low charge injection, 16-channel, high voltage, analog switches, which are used in applications requiring high voltage switching, controlled by low voltage control signals, such as medical ultrasound imaging and other piezoelectric transducer drivers. The HV2701 has bleed resistors, which eliminate voltage built up on capacitive loads such as piezoelectric transducers.

Input data is shifted into a 16-bit shift register that can then be retained in a 16-bit latch. To reduce any possible clock feed through noise, the latch enable bar should be left high until all bits are clocked in. Data is clocked in during the rising edge of the clock. Using HVCMOS technology, these devices combine high voltage bilateral DMOS switches and low power CMOS logic to provide efficient control of high voltage analog signals.

These devices are suitable for various combinations of high voltage supplies, e.g., V_{PP}/V_{NN} : +40V/-160V, +100V/-100V, and +160V/-40V.

Features:	Benefits:
Up to 200V operating voltage	Allows for higher transmit voltages for deeper body tissue imaging capability
Low power, 16-channel density integration	Increased board density for portable ultrasound applications
22Ω switch resistance	Minimizes return signal attenuation for increased signal-to-noise ratio for clearer images
Low charge injection	Allows for clearer images and faster frame rate
Serial shift register control	Minimizes I/O connections



060707

Supertex inc.

HV2601/HV2701

Low Charge Injection 16-Channel High Voltage Analog Switches

Ordering Information / Availability

<u>Part Number</u>	<u>Package Option</u>	<u>Samples</u>	<u>Lead Time</u>
HV2601FG-G	48-Lead LQFP (7x7x1.4mm) (Green)	Now	4-5 Weeks
HV2701FG-G	48-Lead LQFP (7x7x1.4mm) (Green)		

-G indicates the part is RoHS compliant (Green).



Product Contact

For any questions regarding the HV2601 or the HV2701, please contact your local area Supertex sales office, or contact the main office in the US at:

Telephone: 800-222-9883
Fax: 408-222-4895
EMail: mktg@supertex.com
Website: www.supertex.com

Supertex inc.
1235 Bordeaux Drive, Sunnyvale, CA 94089