

Product Summary Sheet

TC7920/TC8220

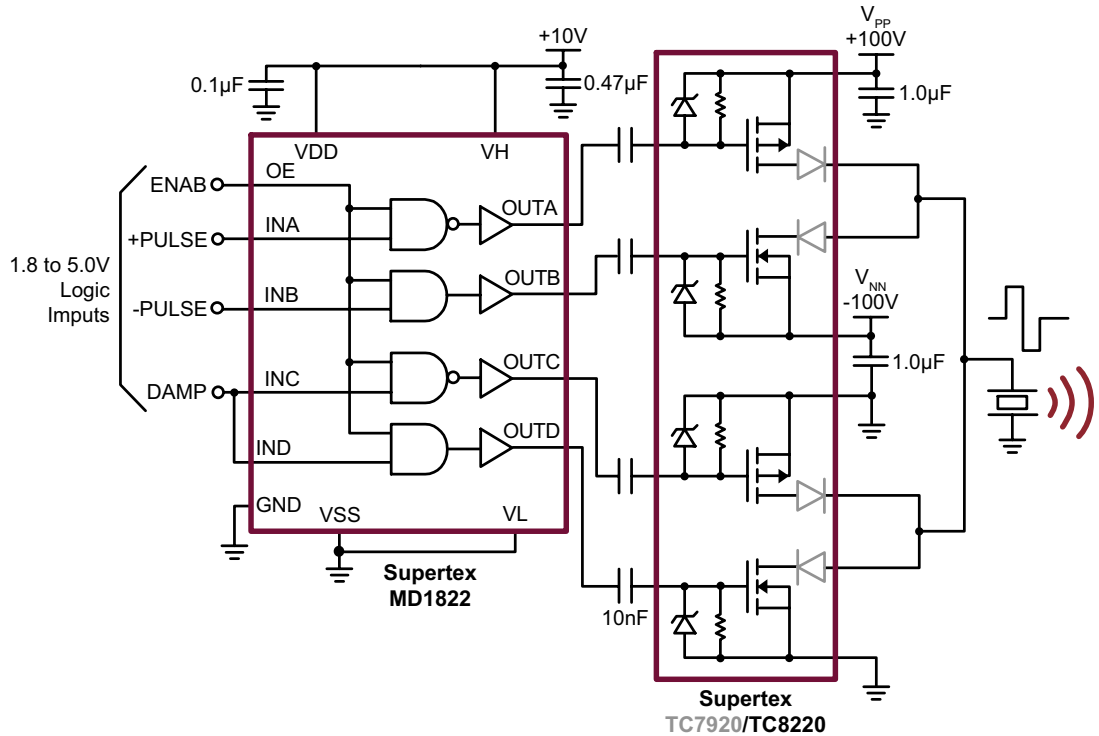
Two Pair, N- and P-Channel Enhancement-Mode MOSFETs

Applications:

- ▶ Medical ultrasound pulsers
- ▶ RF waveform amplifiers
- ▶ Fast high voltage buffers



12-Lead DFN (K6)



Typical Application Circuit

Product Overview:

The Supertex TC7920 and TC8220 both consist of two high voltage, low threshold, N-channel and P-channel MOSFET pairs in 12-lead, DFN packages. All MOSFETs have integrated the gate-to-source resistors and gate-to-source Zener diode clamps which are desired for high voltage pulser applications. The complimentary, high-speed, high voltage, gate-clamped N- and P-channel MOSFET pairs utilize an advanced vertical DMOS structure and Supertex's well-proven silicon-gate manufacturing process. This combination produces devices with the power handling capabilities of bipolar transistors and with the high input impedance and positive temperature coefficient inherent in MOS devices.

Characteristic of all MOS structures, these devices are free from thermal runaway and thermally induced secondary breakdown. Supertex's vertical DMOS FETs are ideally suited to a wide range of switching and amplifying applications where very low threshold voltage, high breakdown voltage, high input impedance, low input and output capacitance, and fast switching speeds are desired.

Features:	Benefits:
200V drain-to-source breakdown voltage	Common voltage range for medical ultrasound
Integrated resistors and Zener diodes	Reduces board space and system cost
Low input capacitance	Minimizes propagation delay times and rise and fall times



120810

Supertex inc.

Two Pair, N- and P-Channel Enhancement-Mode MOSFETs

Ordering Information / Availability

Part Number	Package Option	Samples	Lead Time
TC7920K6-G	12-Lead DFN (Green)	Now	4-6 Weeks ARO
TC8220K6-G			

-G indicates the part is RoHS compliant (Green).



Product Contact

For any questions regarding the TC7920 or the TC8220, please contact your local area Supertex sales office, or contact the main office in the US at:

Telephone: 800-222-8888
 Fax: 408-222-4895
 EMail: mktg@supertex.com
 Website: www.supertex.com

Supertex inc.
 1235 Bordeaux Drive, Sunnyvale, CA 94089