

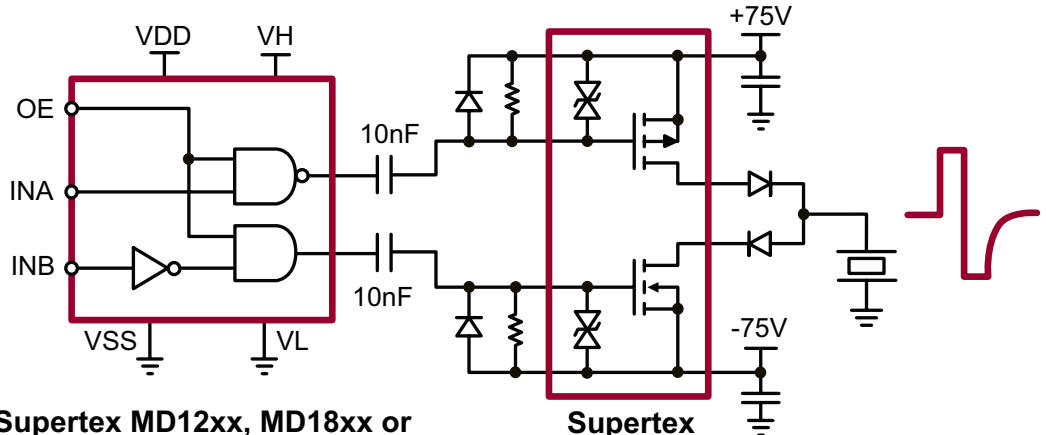
Product Summary Sheet

TC6215

N- and P-Channel Enhancement-Mode Dual MOSFET

Applications:

- ▶ High voltage pulsers
- ▶ Amplifiers
- ▶ Buffers
- ▶ Piezoelectric transducer drivers
- ▶ General purpose line drivers
- ▶ Logic level interfaces



Supertex MD12xx, MD18xx or 5V CMOS Logic Gate (not shown)

Supertex TC6215

Typical Application Circuit

Product Overview:

The Supertex TC6215 consists of high voltage, low threshold N-channel and P-channel MOSFETs in an 8-Lead SOIC package. Both MOSFETs have integrated back to back gate-source Zener diode clamps and guaranteed $R_{DS(ON)}$ ratings down to 4.0V gate drive allowing them to be driven directly with standard 5.0V CMOS logic.

These low threshold enhancement-mode (normally-off) transistors utilize an advanced vertical DMOS structure and Supertex's well-proven silicon-gate manufacturing process. This combination produces devices with the power handling capabilities of bipolar transistors and with the high input impedance and positive temperature coefficient inherent in MOS devices. Characteristic of all MOS structures, these devices are free from thermal runaway and thermally-induced secondary breakdown.

Supertex's vertical DMOS FETs are ideally suited to a wide range of switching and amplifying applications where very low threshold voltage, high breakdown voltage, high input impedance, low input capacitance, and fast switching speeds are desired.

Features:	Benefits:
150V drain-to-source breakdown voltage	Common voltage range for medical ultrasound
Integrated back-to-back zener diodes	Provides gate to source protection
2.0A output current	Enough current to drive transducers with rise and fall times of 20ns for proper imaging
Low input capacitance	Eases gate drive requirement to meet desired output speed
8-Lead SOIC package	Simplifies PCB assembly



8-Lead SOIC (TG)



120711

Supertex inc.

N- and P-Channel Enhancement-Mode Dual MOSFET

Ordering Information / Availability

Part Number	Package Option	Samples	Lead Time
TC6215TG-G	8-Lead SOIC 4.90x3.90mm body 1.75mm height (max) 1.27mm pitch	Now	4-6 Weeks ARO

-G indicates package is RoHS compliant ("Green")



Product Contact

For any questions regarding the TC6215 please contact your local area Supertex sales office, or contact the main office in the US at:

Telephone: 800-222-8888
 Fax: 408-222-4895
 EMail: mktg@supertex.com
 Website: www.supertex.com