

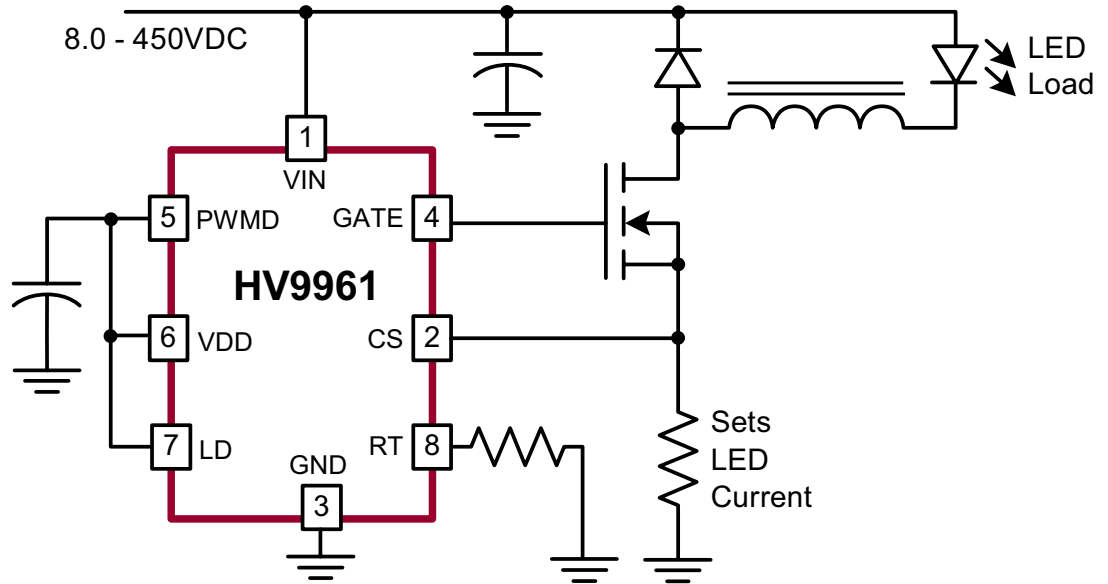
Product Summary Sheet

HV9961

LED Driver with Average-Mode Constant Current Control

Applications:

- ▶ DC/DC or AC/DC LED driver applications
- ▶ LED backlight driver for LCD displays
- ▶ General purpose constant current source
- ▶ LED signage and displays
- ▶ Architectural and decorative LED lighting
- ▶ LED street lighting



Typical Application Circuit

Product Overview:

The HV9961 is an average current, mode control LED driver IC operating in a constant off-time mode. Unlike the HV9910B, this control IC does not produce a peak-to-average error, and therefore greatly improves accuracy, line and load regulation of the LED current without any need for loop compensation or high-side current sensing. The output LED current accuracy is $\pm 3\%$.

The IC is equipped with a current limit comparator for hiccup-mode output short circuit protection.

The HV9961 can be powered from an 8.0 - 450V supply. A PWM dimming input is provided that accepts an external control TTL compatible signal. The output current can be programmed by an internal 272mV reference, or controlled externally through a 0 - 1.5V dimming input.

The HV9961 is pin-to-pin compatible with the HV9910B and it can be used as a drop-in replacement for many applications to improve the LED current accuracy and regulation.



8-Lead SOIC (LG)



16-Lead SOIC (NG)

Features:	Benefits:
Average-mode, constant current control	Improved accuracy without need for loop compensation and high-side current sensing
Built-in PWM/linear dimming	Simple controls to adjust LED brightness
Built in HV regulator $V_{IN} = 450V$	Works directly from high voltage input, save components
Pin-compatible with Supertex HV9910B	Minimum design effort, short development cycle



032811

Supertex inc.

LED Driver with Average-Mode Constant Current Control

Ordering Information / Availability

Part Number	Package Option	Samples	Lead Time
HV9961LG-G	8-Lead SOIC (Green)	Now	4-6 Weeks ARO
HV9961NG-G	16-Lead SOIC (Green)	3 Weeks	

-G indicates the part is RoHS compliant (Green).



Product Contact

For any questions regarding the HV9961, please contact your local area Supertex sales office, or contact the main office in the US at:

Telephone: 800-222-8888
 Fax: 408-222-4895
 EMail: mktg@supertex.com
 Website: www.supertex.com