

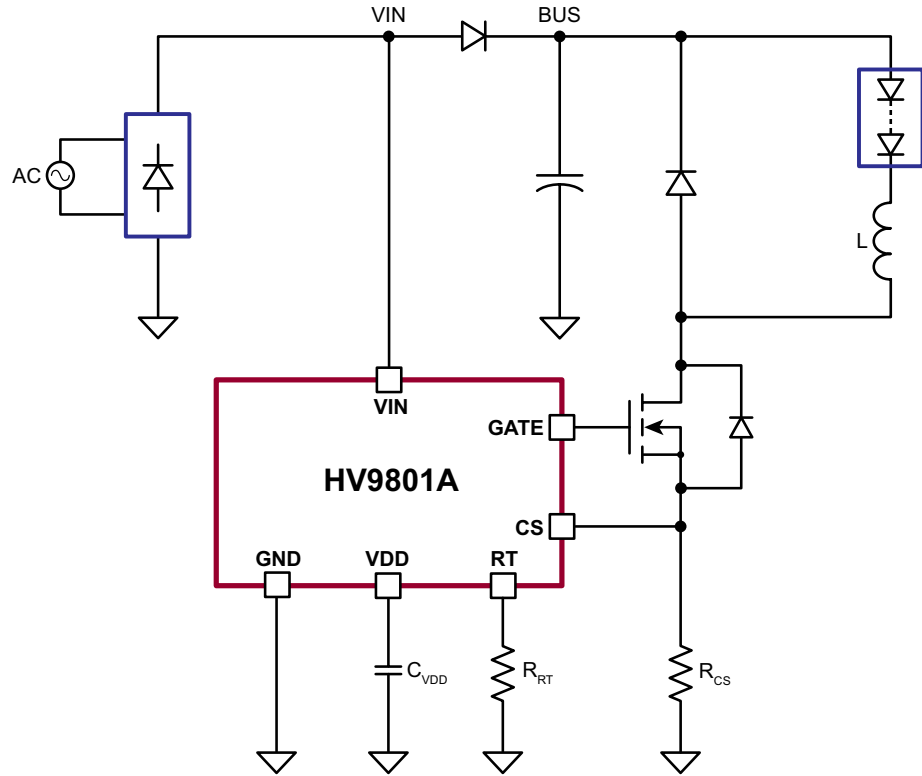
Product Summary Sheet

HV9801A

Switch Dimmable LED Driver

Application:

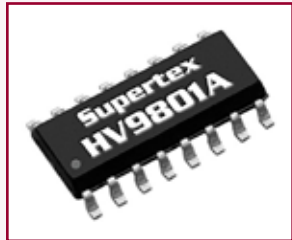
- ▶ Switch dimmable LED bulbs and fixtures



Typical Application Circuit



8-Lead SOIC (LG)



16-Lead SOIC (NG)

Product Overview:

The HV9801A LED driver is ideally suited for switch dimmable applications using LED bulbs and fixtures.

Through switch dimming, the lamp can be adjusted to four discrete brightness levels by rapid cycling of the light switch. The brightness levels are traversed in up and down manner. Brightness resumes at the highest level when power is removed for more than a second.

The device can be powered directly from rectified AC through an internal VDD regulator rated at 450V.

Features:	Benefits:
Four level switch dimming	Ideal for solid-state lighting in household bulbs and fixtures
Accurate output current regulator	Works directly from high voltage input, minimizes component count
Short circuit and over-temperature protection	Protected against damage from wiring and/or temperature conditions



110811

Supertex inc.

Switch Dimmable LED Driver

Ordering Information / Availability

Part Number	Package Option	Samples	Lead Time
HV9801ALG-G	8-Lead SOIC (Green)	Now	4-6 Weeks ARO
HV9801ANG-G	16-Lead SOIC (Green)	Now	4-6 Weeks ARO

-G indicates the part is RoHS compliant (Green).



Product Contact

For any questions regarding the HV9801A, please contact your local area Supertex sales office, or contact the main office in the US at:

Telephone: 800-222-8888
 Fax: 408-222-4895
 EMail: mktg@supertex.com
 Website: www.supertex.com

Supertex inc.

1235 Bordeaux Drive, Sunnyvale, CA 94089