

Inductorless, Liquid Lens Driver Demoboard

General Description

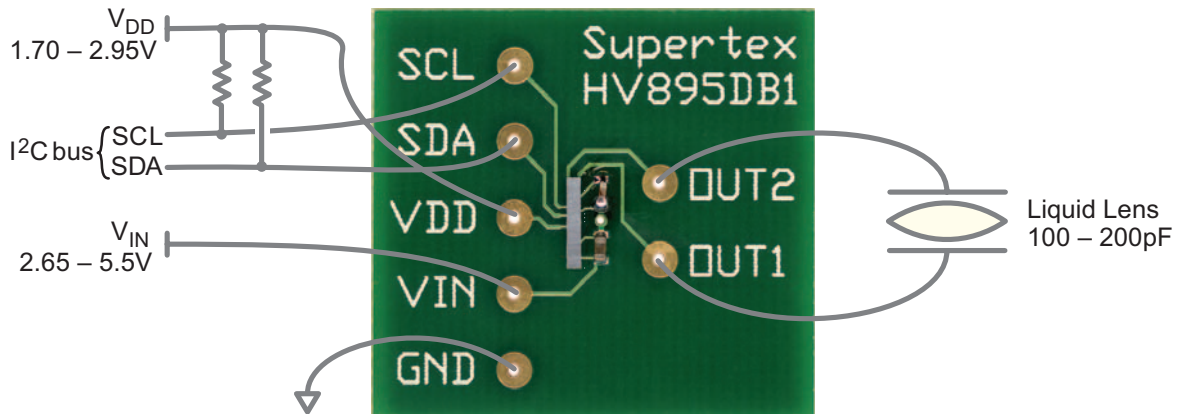
The HV895DB1 is designed to drive liquid lenses of up to 200pF with a 1.5kHz waveform at amplitudes up to 59.7V_{RMS}, controlled via an I²C interface.

A charge pump boost converter integrated on-chip provides the high voltage necessary for driving the lens. No external inductors or diodes are needed. Two ceramic chip capacitors are the only external components required for a complete lens driver circuit.

An H-bridge output stage provides AC drive to the lens, allowing the use of a single high voltage boost converter while providing alternating polarity to the lens. Controlled rising and falling edges on the drive waveform reduces EMI.

Specifications	
Supply voltage (V_{IN}):	2.65 – 5.50V
Supply current (I_{IN}):	20mA max operating 500nA max standby
Output voltage (OUT1 – OUT2):	9.6 – 59.7V _{RMS} , adjustable via I ² C
Load (lens) capacitance:	100 – 200pF
I ² C reference voltage (V_{DD}):	1.70 – 2.95V
I ² C clock:	400kHz max
I ² C address (7-bit):	0100011b

Board Layout and Connection Diagram



Actual Dimensions: 28.0mm x 30.7mm

Connections:

VIN
Supply voltage to the HV895. Externally supplied V_{IN} should be between 2.65 and 5.50V.

GND
Circuit common.

VDD
Externally supplied logic reference voltage for the I²C interface. V_{DD} should be between 1.70 and 2.95V.

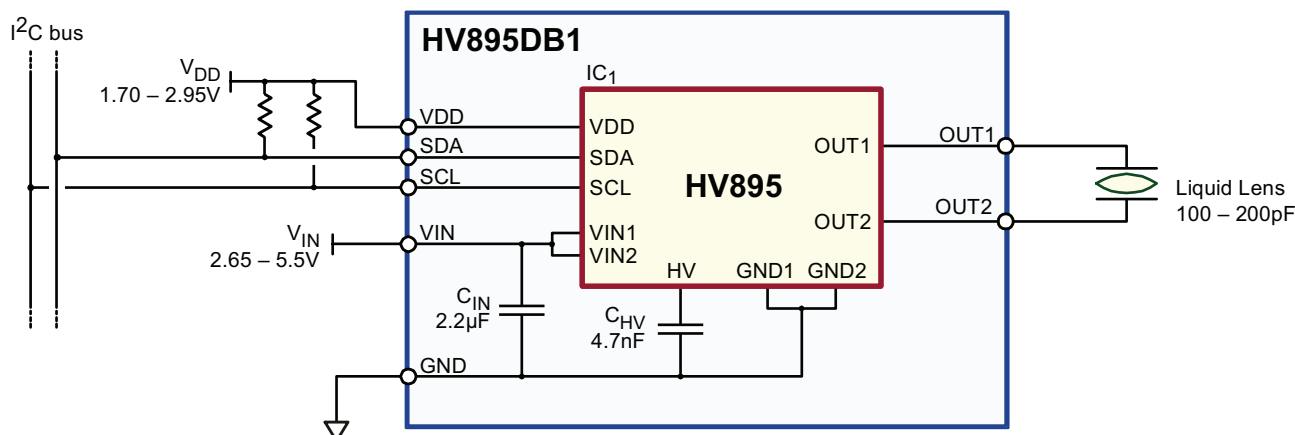
SCL
I²C clock. Clock frequency should be no greater than 400kHz.

SDA
I²C data.

OUT1 and OUT2
The lens driver output. Connect the lens between these two terminals. Load (lens) capacitance should be between 100 and 200pF, including any stray capacitance.

Note:
The resistors shown in the connection diagram are the normal I²C pull-ups. No additional pull-ups are required.

HV895DB1 Circuit Schematic



Bill of Materials

Part	Description	Tolerance	Rating	Package	Manufacturer	Part Number
C _{IN}	2.2µF ceramic capacitor	20%	6.3V	0402	Any	---
C _{HV}	4.7nF ceramic capacitor	10%	100V	0402	MuRata Tecate	GRM155R72A472KA01 CMC-100/472KX0402
IC ₁	Lens driver	-	-	1 × 6mm	Supertex	HV895BD

Operation

A single byte (AMP) written to the HV895 controls the operation of the driver. Setting AMP = 00h causes the HV895 to go into low power standby mode. Setting AMP = 01h to FFh controls output amplitude in 255 monotonic steps.

$$V_{OUT(RMS)} = 9.4V_{RMS} + AMP \cdot 197mV_{RMS}$$

The HV895 is write-only. No readback of the AMP byte is possible.

The HV895's 7-bit address is 0100011b. For large quantity orders, other 7-bit addresses may be obtained.

The resistors shown on the above schematic are the I²C bus' normal pull-ups. No additional pull-ups are required. Externally supplied V_{DD} is the I²C bus' reference voltage.

Externally supplied V_{IN} should be ramped up in less than 2.0ms to ensure the driver starts-up in standby mode. If brought up slower, the driver may not start-up in standby mode, with output amplitude at an indeterminate level. In this case, writing AMP = 00h brings the driver to standby mode. No damage will occur if V_{IN} is brought up slower than 2.0ms.

Loads less than 100pF may result in waveform distortion. This is due to the output pins being held at a high-Z state for a portion of the waveform. Without adequate capacitance to hold up the voltage, some droop may be observed when DC-loaded by oscilloscope probes.

To avoid loading down the outputs, be sure to use instruments having at least 10MΩ input impedance when taking measurements. While many voltmeters may have a very high input resistance on the DC scale, they frequently have only 1.0MΩ input impedance on the AC scale. Also, be sure to use a voltmeter with true RMS capability.

Supertex inc. does not recommend the use of its products in life support applications, and will not knowingly sell its products for use in such applications, unless it receives an adequate "product liability indemnification insurance agreement". **Supertex** does not assume responsibility for use of devices described and limits its liability to the replacement of the devices determined defective due to workmanship. No responsibility is assumed for possible omissions or inaccuracies. Circuitry and specifications are subject to change without notice. For the latest product specifications, refer to the **Supertex** website: <http://www.supertex.com>.

©2008 **Supertex inc.** All rights reserved. Unauthorized use or reproduction is prohibited.

Supertex inc.
1235 Bordeaux Drive, Sunnyvale, CA 94089
TEL: (408) 222-8888 / FAX: (408) 222-4895
www.supertex.com