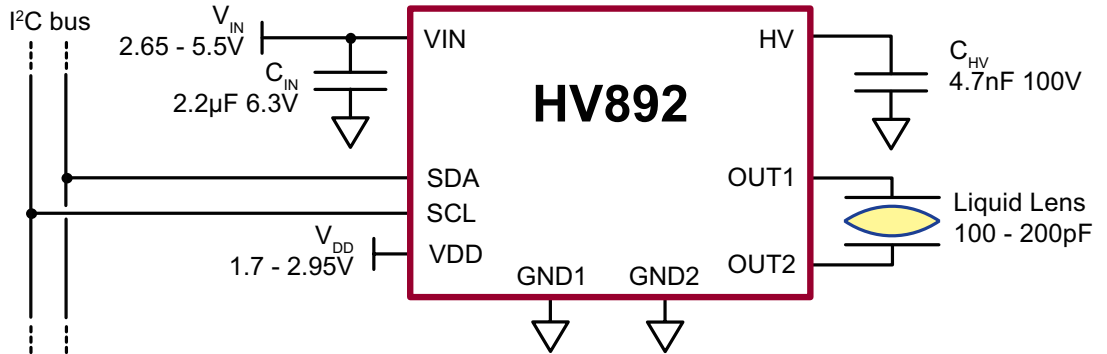


Inductorless Liquid Lens Driver

Applications:

- ▶ Cell phone cameras
- ▶ PDAs and ultra-compact cameras
- ▶ Bar code readers
- ▶ Web and laptop cameras



Typical Application Circuit



10-Lead DFN (K7)

Product Overview:

The HV892 liquid lens driver is controlled via an I²C interface, is capable of driving capacitive loads of up to 200pF, and is compatible with 40 to 60V_{RMS} lenses.

A single byte (AMP) written to the HV892 controls the operation of the driver. Setting AMP = 01h to FFh controls output amplitude in 255 monotonic steps. Setting AMP = 00h causes the HV892 to go into low power standby mode, consuming less than 1.0µA. When active, the HV892 draws less than 20mA.

A charge pump boost converter integrated on-chip provides the high voltage necessary for driving the lens. No external inductors or diodes are needed. Two ceramic chip capacitors are the only external components required for a complete lens driver circuit.

An H-bridge output stage provides AC drive to the lens, allowing the use of a single high voltage boost converter while providing alternating polarity to the lens. Controlled rising and falling edges on the drive waveform reduces EMI.

The HV892 is offered in a 10-Lead 4x4mm DFN package.

Features:	Benefits:
High voltage charge pump integrated on-chip	No bulky external inductors or diodes required
I ² C interface	Ease of system design
Low operating and standby power	Prolongs battery life
Fast response time	Shortens the shutter lag time
Small 4x4mm DFN package and only 2 external caps	Allow a compact, easy-to-assembly driver circuit solution



Inductorless Liquid Lens Driver

Ordering Information / Availability

<u>Part Number</u>	<u>Package Option</u>	<u>Samples</u>	<u>Lead Time</u>
HV892K7-G	10-Lead DFN	Now	4 - 6 weeks ARO

This product is RoHS compliant ('Green')



Product Contact

For any questions regarding the HV892 please contact your local area Supertex sales office, or contact the main office in the US at:

Telephone: 800-222-8888
Fax: 408-222-4895
EMail: mktg@supertex.com
Website: www.supertex.com

Supertex inc.

1235 Bordeaux Drive, Sunnyvale, CA 94089