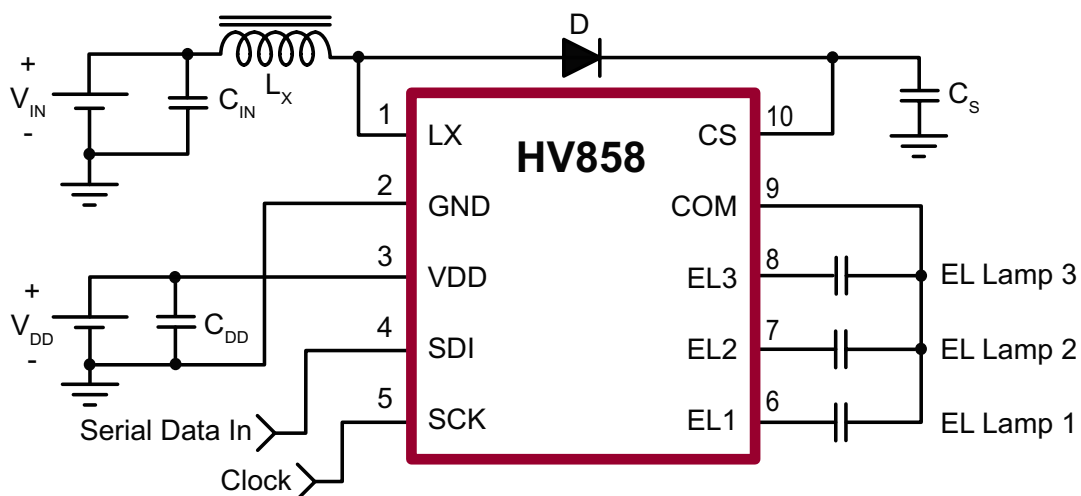


Product Summary Sheet

Tri-EL Lamp Driver IC

Applications:

- ▶ Multi-segment, variable displays
- ▶ Cell phone keypads and displays
- ▶ MP3 players



Typical Application Circuit



DFN-10 (K7)



MSOP-10 (MG)

Product Overview:

The Supertex HV858 is a high voltage, triple EL lamp driver designed for driving combined EL lamps of up to 3.0 in² (1.0 in² each). The input supply voltage range is from 1.8 to 6.5V. The device is designed such that the input voltage to the inductor can be different from the input voltage to the device (split supply). The device uses a single inductor and a minimum number of passive components.

The nominal regulated output voltage that is applied to the EL lamp is $\pm 95V$. The HV858 has two internal oscillators, one for the internal switching MOSFET, and the other for the high voltage EL lamp driver. The EL lamp frequency is fixed internally at 500Hz. The power converter oscillator runs 256 times faster than the EL lamp driver at 128kHz.

Features:	Benefits:
Dimming control at seven brightness levels	Variable lighting
Small package	Saves board space
Single inductor for driving three lamps	Saves external components
Output voltage regulation	Provides uniform brightness over input voltage range. Saves power, extends battery life.
150nA Shutdown Current	Minimum usage of the battery while the lamps are in stand-by mode



Tri-EL Lamp Driver IC

Ordering Information / Availability

Part Number	Package Option	Samples	Lead Time
HV858K7-G	10-Lead DFN	Now	4-5 Weeks ARO
HV858MG-G	10-Lead MSOP		

-G indicates the part is RoHS compliant (Green).



Product Contact

For any questions regarding the HV858, please contact your local area Supertex sales office, or contact the main office in the US at:

Telephone: 800-222-8888
 Fax: 408-222-4895
 EMail: mktg@supertex.com
 Website: www.supertex.com

Supertex inc.
 1235 Bordeaux Drive, Sunnyvale, CA 94089