

## Product Summary Sheet

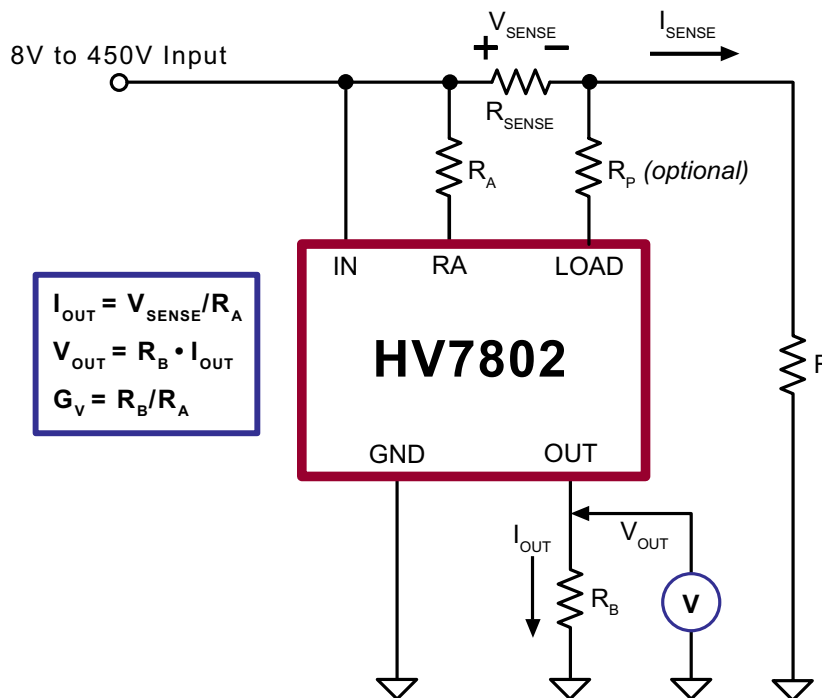
### High Side Current Monitor 8V to 450V, Configurable Output

#### Applications:

- ▶ SMPS Current Monitor
- ▶ Battery Current Monitor
- ▶ Motor Control



8-Lead MSOP (MG)



Typical Application Circuit

$$I_{OUT} = V_{SENSE} / R_A$$

$$V_{OUT} = R_B \cdot I_{OUT}$$

$$G_V = R_B / R_A$$

#### Product Overview:

The HV7802 high side current monitor IC contains a transconductance amplifier which translates a high side current measurement voltage into an output current with resistor programmable transconductance gain. An optional second resistor transforms this output current into an output voltage with an overall voltage gain set by the ratio of the two resistors.

The measurement voltage typically originates at a current sense resistor, which is located in a "high side" circuit, i.e. a circuit not directly associated with ground.

This monitor IC features a very wide input voltage range, configurable gain, small size, low component count, low power consumption, ease of use and low cost. Offline applications, battery and portable applications can be served equally well due to the wide input voltage range and the low quiescent current.

Features:	Benefits:
Wide input supply voltage range	May be used for a wide variety of current sensing applications
High gain accuracy ( $\pm 1\%$ )	Accurate, efficient operation
50 $\mu$ A typical quiescent current	Low battery drain in portable applications
0.7 $\mu$ s typical response time	Fast protection circuits; High bandwidth closed loop control



## High Side Current Monitor 8V to 450V, Configurable Output

### Ordering Information / Availability

Part Number	Package Option	Samples	Lead Time
HV7802MG-G	8-Lead MSOP	Now	6-8 Weeks ARO

-G indicates the part is RoHS compliant (Green).



### Product Contact

For any questions regarding the HV7802, please contact your local area Supertex sales office, or contact the main office in the US at:

Telephone: 800-222-8888  
 Fax: 408-222-4895  
 EMail: [mktg@supertex.com](mailto:mktg@supertex.com)  
 Website: [www.supertex.com](http://www.supertex.com)

***Supertex inc.***  
 1235 Bordeaux Drive, Sunnyvale, CA 94089