

**Product
Summary
Sheet**

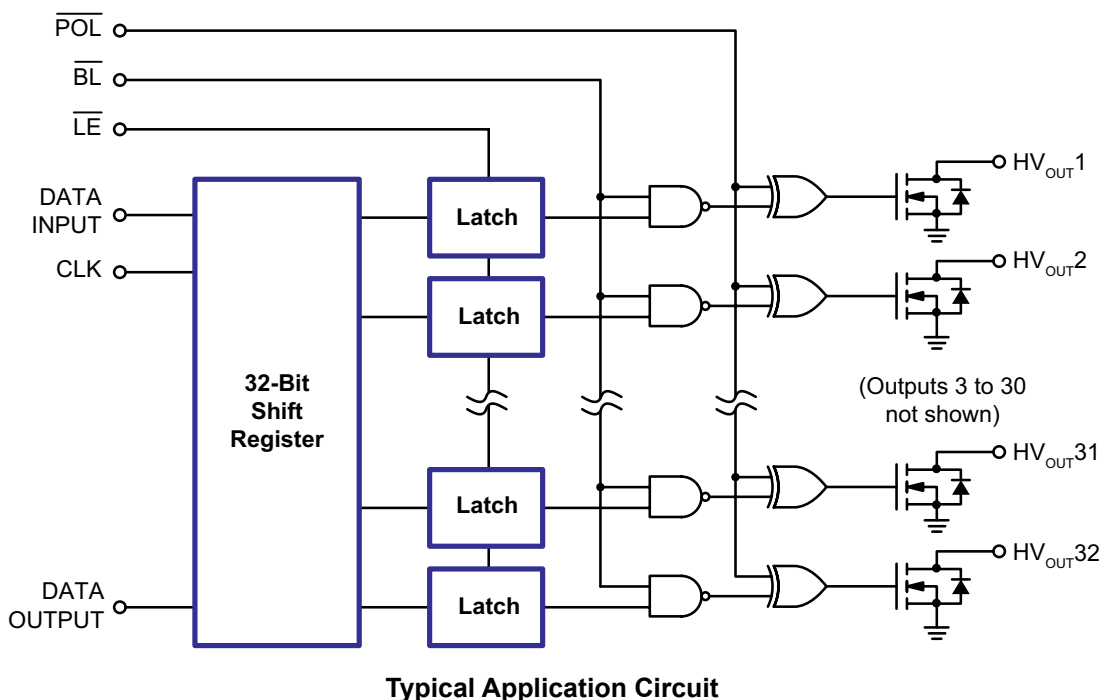
Applications:

- ▶ Inkjet and Electrostatic Print Heads
- ▶ AC-Electroluminescent Displays
- ▶ MEMS Applications



44-Lead QFN (K7)

**32-Channel Serial To Parallel Converter
With Open Drain Outputs**



General Description

The HV5623 is a low-voltage serial to high-voltage parallel converter with open drain outputs. This device has been designed for use as a driver for AC-electroluminescent displays. It can also be used in any application requiring multiple output high voltage current sinking capabilities, such as driving inkjet and electrostatic print heads, plasma panels, and vacuum fluorescent or large matrix LCD displays.

This device consists of a 32-bit shift register, 32 latches, and control logic to perform the polarity selection and blanking of the outputs. Data are shifted through the shift register on the high to low transition of the clock. The HV5623 shifts in a clockwise direction when viewed from the top of the package. A data output buffer is provided for cascading devices. This output reflects the current status of the last bit of the shift register. Operation of the shift register is not affected by the \overline{LE} (latch enable), \overline{BL} (blanking), or \overline{POL} (polarity) inputs. Transfer of data from the shift register to the latch occurs when the \overline{LE} (latch enable) input is high. The data in the latch is stored when \overline{LE} is low.

Features:	Benefits:
32 channels in a 44-Lead 7x7mm QFN package	High channel density in small package Small footprint
Open drain output with 100mA minimum sink current capability	Capable of faster slew rate requirement Capable of driving heavier piezo load
16MHz shift register speed	Fast data loading and refresh rate
Polarity and blanking inputs	Additional control functions
CMOS compatible inputs	Low input current
Single +5.0V supply	Minimizes power requirements



32-Channel Serial To Parallel Converter With Open Drain Outputs

Ordering Information / Availability

<u>Part Number</u>	<u>Package Option</u>	<u>Samples</u>	<u>Lead Time</u>
HV5623K7-G	44-Lead QFN (Green)	Now	4-6 Weeks ARO

-G indicates the part is RoHS compliant (Green).



Product Contact

For any questions regarding the HV5623, please contact your local area Supertex sales office, or contact the main office in the US at:

Telephone: 800-222-9888
Fax: 408-222-4895
EMail: mktg@supertex.com
Website: www.supertex.com

Supertex inc.
1235 Bordeaux Drive, Sunnyvale, CA 94089