

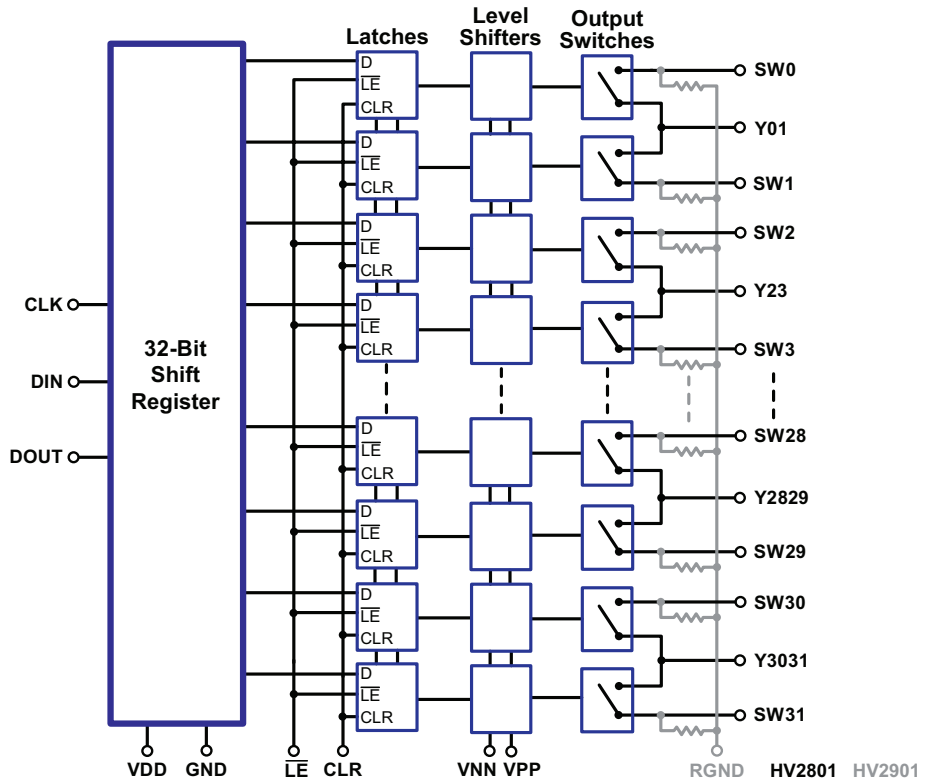
Product Summary Sheet

HV2801
HV2901

Low Charge Injection 32-Channel High Voltage Analog Switches

Applications:

- ▶ Medical ultrasound imaging
- ▶ NDT metal flaw detection
- ▶ Piezoelectric transducer drivers
- ▶ Inkjet printer heads
- ▶ Optical MEMS modules



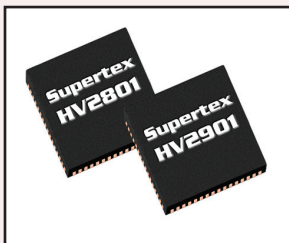
Typical Application Circuit

Product Overview:

The Supertex HV2801 and HV2901 are low charge injection, 32-channel, high voltage, analog switches, which are used in applications requiring high voltage switching controlled by low voltage control signals, such as medical ultrasound imaging and other piezoelectric transducer drivers. The HV2901 has bleed resistors, which eliminate voltage built up on capacitive loads such as piezoelectric transducers.

Input data are shifted into a 32-bit shift register that can then be retained in a 32-bit latch. To reduce any possible clock feed through noise, the latch enable bar should be left high until all bits are clocked in. Data are clocked in during the rising edge of the clock. Using HVCMOS technology, these devices combine high voltage bilateral DMOS switches and low power CMOS logic to provide efficient control of high voltage analog signals. These devices are suitable for various combinations of high voltage supplies, e.g., V_{PP}/V_{NN} : +40V/-160V, +100V/-100V, and +160V/-40V.

Features:	Benefits:
Up to 200V operating voltage	Allows for higher transmit voltages for deeper body tissue imaging capability
18Ω switch resistance	Minimizes return signal attenuation for increased signal-to-noise ratio for clearer images
Low charge injection	Allows for clearer images and faster frame rate
CMOS serial shift register control	Minimizes I/O connections and power dissipation
64-lead QFN package	Higher board density



64-Lead QFN (K6)



011912

Supertex inc.

Low Charge Injection 32-Channel High Voltage Analog Switches

Ordering Information / Availability

Part Number	Package Option	Samples	Lead Time
HV2801K6-G	64-Lead QFN (Green)	Now	4-6 Weeks ARO
HV2901K6-G	64-Lead QFN (Green)	Now	4-6 Weeks ARO

-G indicates the part is RoHS compliant (Green).



Product Contact

For any questions regarding the HV2801 or HV2901, please contact your local area Supertex sales office, or contact the main office in the US at:

Telephone: 800-222-8888
Fax: 408-222-4895
EMail: mktg@supertex.com
Website: www.supertex.com

Supertex inc.
1235 Bordeaux Drive, Sunnyvale, CA 94089