

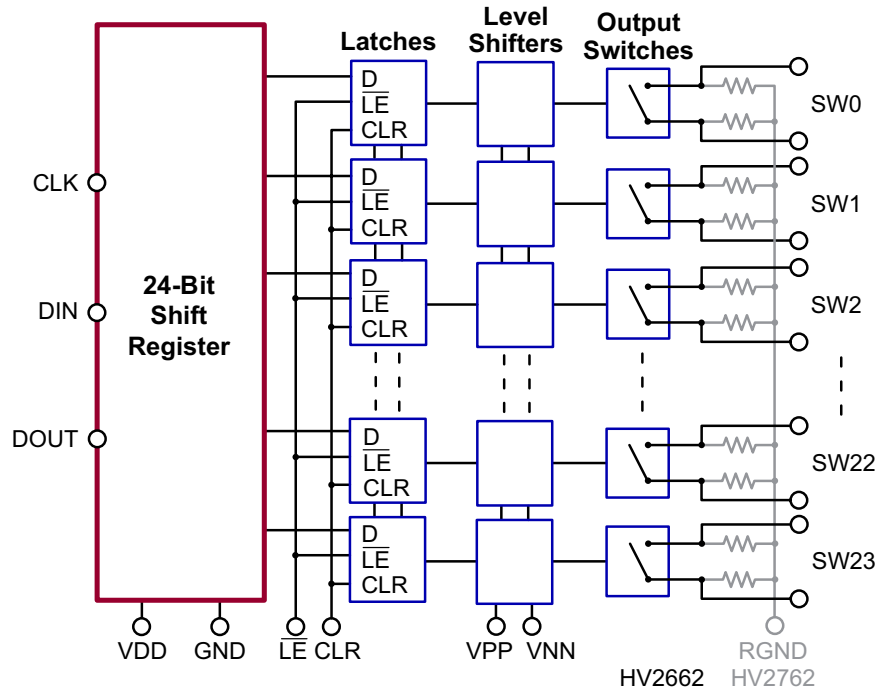
# Product Summary Sheet

**HV2662  
HV2762**

## Low Charge Injection 24-Channel SPST High Voltage Analog Switches

### Applications:

- ▶ Medical ultrasound imaging
- ▶ Piezoelectric transducer drivers
- ▶ Inkjet printer heads
- ▶ Optical MEMS modules



**Typical Application Circuit**

### Product Overview:

The HV2662 and HV2762 are low charge injection, 24-channel, high voltage analog switch integrated circuits (ICs) intended for use in applications requiring high voltage switching controlled by low voltage control signals, such as medical ultrasound imaging, piezoelectric transducer driver, and printers. The HV2762 has integrated bleed resistors, which eliminate voltage built up on capacitive loads such as piezoelectric transducers.

Input data are shifted into a 24bit shift register that can then be retained in a 24bit latch. To reduce any possible clock feed through noise, the latch enable (LE) should be left high until all bits are clocked in. Data are clocked in during the rising edge of the clock. Using HVCMOS technology, these devices combine high voltage bilateral DMOS switches and low power CMOS logic to provide efficient control of high voltage analog signals.

The devices are suitable for various combinations of high voltage supplies, e.g.:

$$V_{PP}/V_{NN}: +40V/-160V, +100V/-100V, \text{ and } +160V/-40V.$$

Features:	Benefits:
Very low quiescent current -10uA	Low heat dissipation, increased reliability
Low parasitic capacitance	Reduces return signal attenuation
Up to 200V operating voltage	Provides deeper imaging capability in ultrasound applications
18Ω switch on-resistance	Improved signal-to-noise ratio
Large voltage supply ranges	Permits operation at various voltages for optimum performance in a variety of applications
Small, high density packaging	Less board space for diagnostic ultrasound machines



**64-Pad LFGA (LA)**



**64-Ball LFGA (LB)**



062211

**Supertex inc.**

## Low Charge Injection 24-Channel SPST High Voltage Analog Switches

### Ordering Information / Availability

Part Number	Package Option	Samples	Lead Time
HV2662LA-G	64-Pad LFGA (Green)	Now	4-6 Weeks ARO
HV2662LB-G	64-Ball LFGA (Green)	Now	4-6 Weeks ARO
HV2762LA-G	64-Pad LFGA (Green)	Now	4-6 Weeks ARO
HV2762LB-G	64-Ball LFGA (Green)	Now	4-6 Weeks ARO

-G indicates the part is RoHS compliant (Green).



### Product Contact

For any questions regarding the HV2662, please contact your local area Supertex sales office, or contact the main office in the US at:

Telephone: 800-222-8888  
Fax: 408-222-4895  
EMail: [mktg@supertex.com](mailto:mktg@supertex.com)  
Website: [www.supertex.com](http://www.supertex.com)