

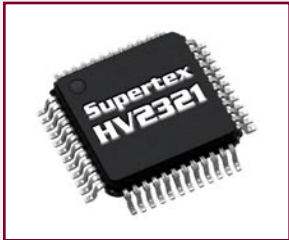
Product Summary Sheet

HV2221 and HV2321

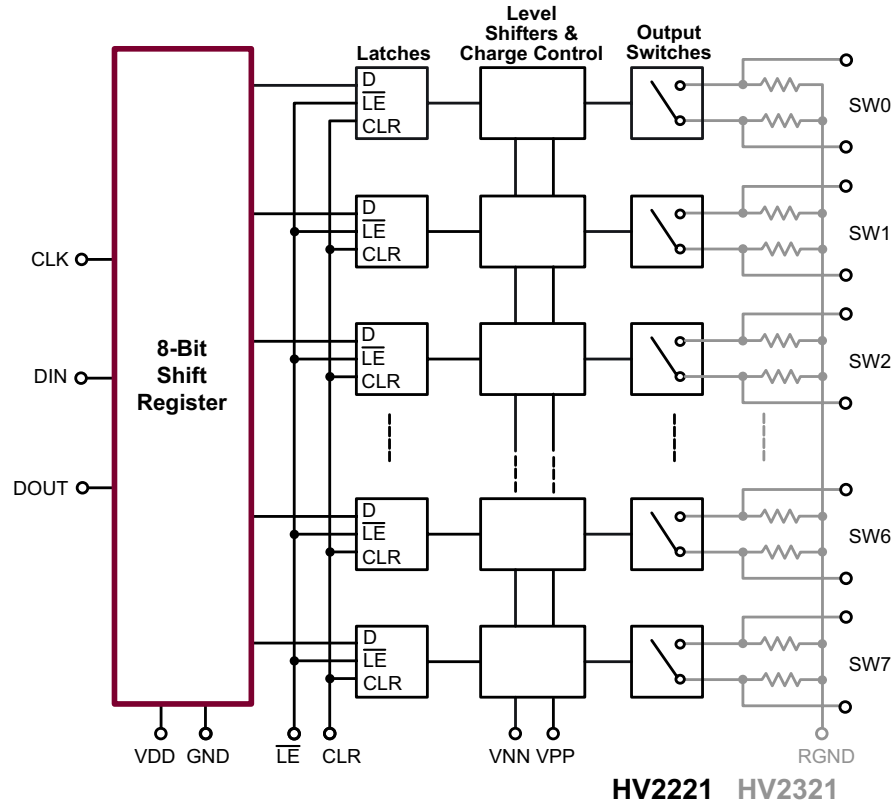
Low Charge Injection, 8-Channel, Unipolar, Negative High Voltage, Analog Switches

Applications:

- ▶ NDT Metal Flaw Detection
- ▶ Medical Ultrasound Imaging
- ▶ Piezoelectric Transducer Drivers
- ▶ Inkjet Printer Heads
- ▶ Optical MEMS Modules



48-Lead LQFP (FG)



Block Diagram

Product Overview:

The Supertex HV2221 and HV2321 are low charge injection 8-channel unipolar negative high voltage analog switch integrated circuits (ICs). The devices can be used in applications requiring high voltage switching controlled by low voltage signals, such as NDT metal flaw detection, medical ultrasound imaging, piezoelectric transducer drivers, and printers. The HV2321 includes bleed resistors which eliminate voltage build up on capacitive loads such as piezoelectric transducers.

Data is input into an 8-bit shift register and then retained in an 8-bit latch. To reduce any possible clock feed-through noise, the latch enable bar should be left high until all bits are clocked in. Data is clocked in during the rising edge of the clock.

Using HVCMOS technology, these devices combine high voltage bilateral DMOS switches and low power CMOS logic to provide efficient control of high voltage analog signals.

Features:	Benefits:
Low on-resistance, 10Ω typical	Deeper penetration in NDT applications
Low parasitic capacitance	Reduces return signal attenuation
3.3V or 5.0V CMOS input logic level	Operates at different voltage levels for optimum performance
CMOS serial shift register control	Minimizes I/O connections and power dissipation



HV2221 and HV2321

Low Charge Injection, 8-Channel, Unipolar, Negative High Voltage, Analog Switches

Ordering Information / Availability

Part Number	Package Option	Samples	Lead Time
HV2221FG-G	48-Lead LQFP (Green)	Now	6-8 Weeks
HV2321FG-G	48-Lead LQFP (Green)	2-4 Weeks	

-G indicates the part is RoHS compliant (Green).



Product Contact

For any questions regarding the HV2221 or the HV2321, please contact your local area Supertex sales office, or contact the main office in the US at:

Telephone: 800-222-8888
Fax: 408-222-4895
EMail: mktg@supertex.com
Website: www.supertex.com

Supertex inc.
1235 Bordeaux Drive, Sunnyvale, CA 94089