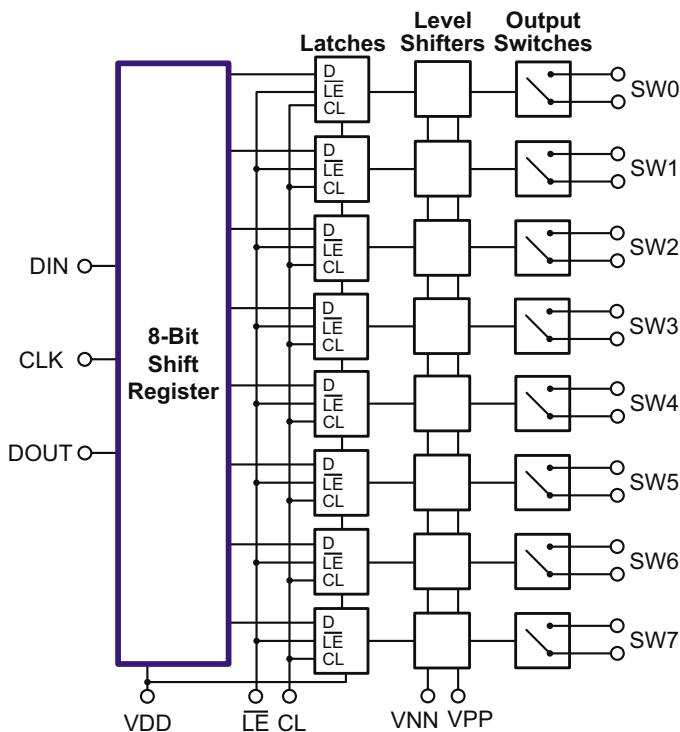


Product Summary Sheet

250V Low Charge Injection 8-Channel Analog Switch

Applications:

- ▶ Medical Ultrasound Imaging
- ▶ Piezoelectric Transducer Drivers
- ▶ Inkjet Printer Heads
- ▶ Optical MEMS Modules



Functional Block Diagram



48-Lead LQFP (FG)



28-Lead PLCC (PJ)

Product Overview:

The Supertex HV214 is a low charge injection, 8-channel, high voltage analog switch integrated circuit (IC) intended for use in applications requiring high voltage switching controlled by low voltage control signals, such as medical ultrasound imaging, piezoelectric transducer drivers, inkjet printer heads, and optical MEMS modules.

As shown in the block diagram above, the HV214 consists of: a) 8-bit shift register, b) 8 latches, c) 8 high voltage level shifters and d) 8 single pole, single throw switches. The outputs of this new IC are configured as 8 single pole single throw analog switches that feature low resistance to minimize signal attenuation in the receive mode and to provide a 2A current capability in transmit mode. Input data is shifted into the 8-bit shift register which can be retained in the 8-bit latch. A logic high on the data latch will close the switch connecting the transmit/receive circuitry to the load. A logic low (zero) will open the switch.

Features:	Benefits:
Up to 250V operating voltage	Deeper imaging into body tissue
36 Ohm switch-on resistance	Good resolution due to improved signal to noise ratio
Very low quiescent current - 10µA	Low equipment heat dissipation, increased reliability
Low parasitic capacitances	Reduce/minimize transmitter loading
Very good cross talk and off-isolation	Increased image clarity due to the reduced inter-channel interference
Low voltage CMOS logic circuitry	Allows direct interfacing to control logic
Large supply voltage range	Permits operation at different voltages for optimum performance



112310

250V Low Charge Injection 8-Channel Analog Switch

Ordering Information / Availability

Part Number	Package Option	Samples	Product Availability
HV214FG-G	48-Lead LQFP (Green)	Now	4-6 Weeks ARO
HV214PJ-G	28-Lead PLCC	Now	4-6 Weeks ARO

-G indicates the part is RoHS compliant (Green).



Product Contact

For any questions regarding the HV214 please contact your local area Supertex sales office, or contact the main office in the US at:

Telephone: 800-222-8888
 Fax: 408-222-4895
 E-mail: mktg@supertex.com
 Web site: www.supertex.com

Supertex inc.
 1235 Bordeaux Drive, Sunnyvale, CA 94089