

Product Summary Sheet

DN3145

N-Channel Depletion-Mode DMOS FET

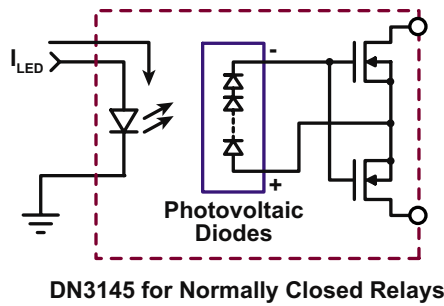
Applications:

- ▶ Constant current sources
- ▶ Converters
- ▶ Solid-State Relays

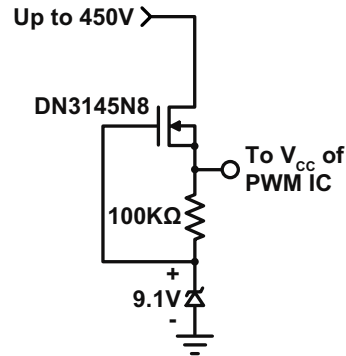


3-Lead SOT-89 (N8)

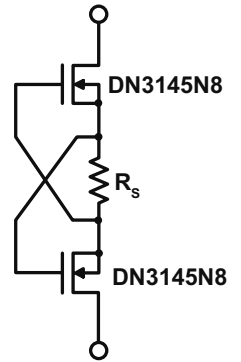
Solid State Relays



SMPS Start-Up Circuit



Current Limiter



Product Overview:

The DN3145 is a 450V high-speed, high voltage depletion-mode transistor for solid state relay and SMPS start-up circuit applications. The device allows solid state relay manufacturers to produce high-speed, high voltage normally closed relays for automatic test equipment (ATE). The DN3145 features low input capacitance that enables fast switching speed and low output leakage, providing accurate measurement for test equipment. It also features a minimum 450V breakdown voltage, a maximum 60Ω on-resistance, and a low input capacitance of 120pF for fast switching applications.

Supertex's DMOS FETs are ideally suited to a wide range of switching applications where very high breakdown voltage and fast switching speed are desired.

Features:	Benefits:
Low input capacitance	Allows for fast switching speed
High voltage	Allows for high voltage transients
Low output leakage	Enables accurate measurement
Small surface mount package	Saves board space



112310

Supertex inc.

DN3145

**N-Channel Depletion-Mode
DMOS FET**

Ordering Information / Availability

Part Number	Package Option	Samples	Product Availability
DN3145N8-G	3-Lead SOT-89 (Green)	Now	4-6 Weeks ARO

-G indicates the part is RoHS compliant (Green).



Product Contact

For any questions regarding the DN3145 please contact your local area Supertex sales office, or contact the main office in the US at:

Telephone: 800-222-8888
Fax: 408-222-4895
E-mail: mktg@supertex.com
Web site: www.supertex.com

Supertex inc.
1235 Bordeaux Drive, Sunnyvale, CA 94089