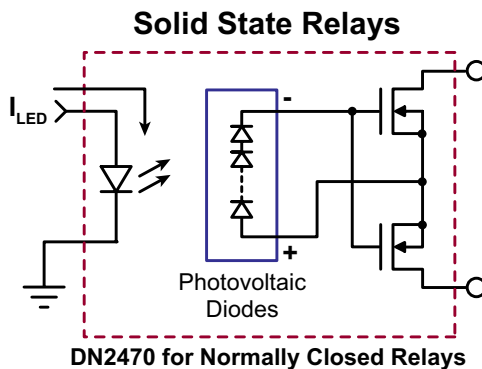


**Product
Summary
Sheet**

**N-Channel Depletion-Mode
Vertical DMOS FET**

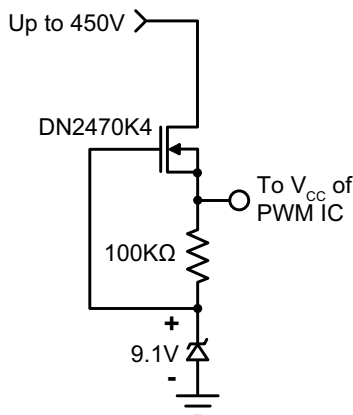
Applications:

- ▶ Constant current sources
- ▶ Converters
- ▶ Solid-State Relays

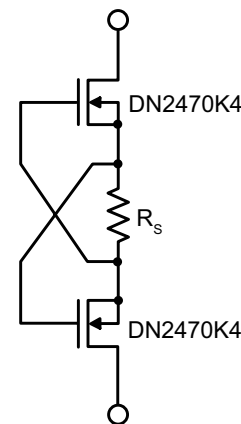


3-Lead TO-252 (K4)

SMPS Start-Up Circuit



Current Limiter



Product Overview:

DN2470 is a high-voltage N-channel depletion-mode MOSFET. It can be used for normally closed solid state relays, SMPS start-up circuits and constant current sources.

The DN2470 features 700V breakdown voltage, 42 ohms maximum on-resistance and is available in a 3-terminal D-PAK package.

The DN2470 utilizes an advanced vertical DMOS structure and Supertex's well-proven silicon-gate manufacturing process. This combination produces devices with the power handling capabilities of bipolar transistors with the high input impedance and positive temperature coefficient inherent in MOSFET devices. Characteristic of all MOS structures, these devices are free from thermal runaway and thermally induced secondary breakdown.

Features:	Benefits:
700V Breakdown Voltage	Allows protection against high voltage transients
Depletion-mode	Allows construction of normally on solid-state relays and 2 terminal constant current sources
42 ohm maximum on-resistance	Minimizes power dissipation and voltage drops



N-Channel Depletion-Mode Vertical DMOS FET

Ordering Information / Availability

<u>Part Number</u>	<u>Package Option</u>	<u>Samples</u>	<u>Product Availability</u>
DN2470K4-G	3-Lead TO-252 (Green)	Now	4-6 Weeks ARO

-G indicates the part is RoHS compliant (Green).



Product Contact

For any questions regarding the DN2470 please contact your local area Supertex sales office, or contact the main office in the US at:

Telephone: 800-222-8888
Fax: 408-222-4895
E-mail: mktg@supertex.com
Web site: www.supertex.com

Supertex inc.
1235 Bordeaux Drive, Sunnyvale, CA 94089