

Product Summary Sheet

Applications:

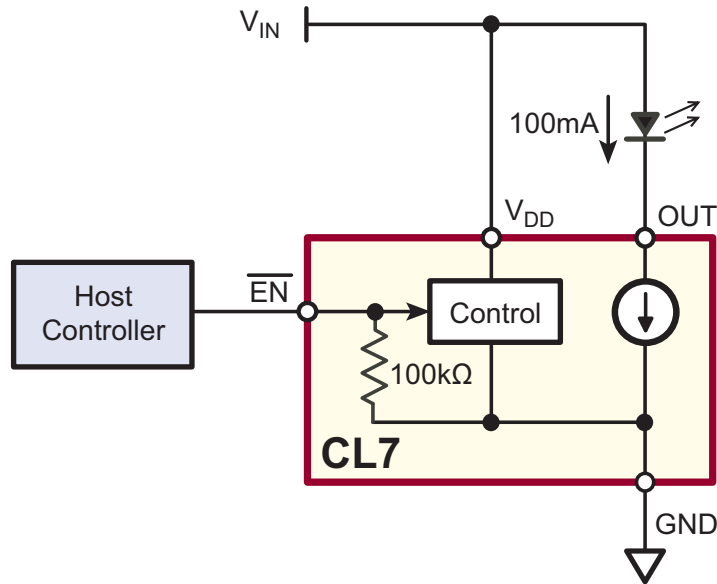
- ▶ Flashlights
- ▶ Speciality lighting
- ▶ Low voltage signage
- ▶ Low voltage lighting



SOIC-8 (SG)

CL7

Linear Fixed 100mA Constant Current LED Driver



Typical Application Circuit

Product Overview:

The CL7 is a linear fixed current regulator designed for driving high brightness LEDs at 100mA from a nominal 12V, 24V, and 48V supplies. With a maximum rating of 90V, it is able to withstand transients without the need for additional transient protection circuitry. The CL7 is offered in the Power SO-8 package.

An active low enable input ($\overline{\text{EN}}$) allows logic level control of the LED for on/off control or PWM dimming. The enable input has 100kΩ pull-down resistance. For applications not needing an enable input, refer to the CL6 data sheet.

Overtemperature protection shuts off LED current when the die temperature rises above 135°C nominal. Full LED current resumes when die temperature falls below 105°C nominal.

Features:	Benefits:
Built-in reverse polarity protection	No need for an external rectifier
90V max rating	Transient immunity
Overtemperature protection	Increases reliability, tolerates LED shorts
Logic-level enable	Allows PWM dimming



082106

Supertex inc.

CL7

Linear Fixed 100mA Constant Current LED Driver

Ordering Information / Availability

Part Number	Package Option	Samples	Lead Time
CL7SG-G	8-Lead Power SOIC Narrow Body w/ Heat Slug	1-2 Weeks	4-5 Weeks ARO

-G indicates the part is RoHS compliant (Green).



Product Contact

For any questions regarding the CL7, please contact your local area Supertex sales office, or contact the main office in the US at:

Telephone: 800-222-8888
Fax: 408-222-4895
EEmail: mktg@supertex.com
Website: www.supertex.com

Supertex inc.
1235 Bordeaux Drive, Sunnyvale, CA 94089