

Product Summary Sheet

CL6

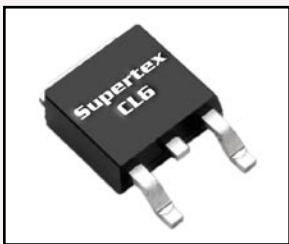
Linear Fixed 100mA Constant Current LED Driver

Applications:

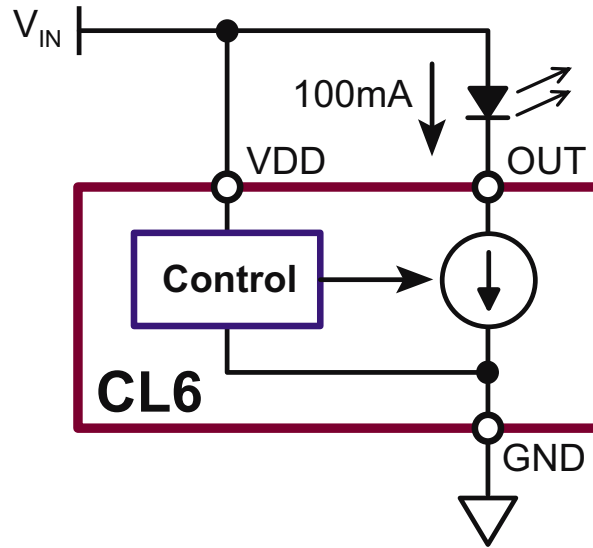
- ▶ Flashlights
- ▶ Speciality lighting
- ▶ Low voltage signage
- ▶ Low voltage lighting



TO220 (N5)



TO-252 (D-pak) (K4)



Typical Application Circuit

Product Overview:

The CL6 is a fixed, linear current regulator designed for driving high brightness LEDs at 100mA from a nominal 12V, 24V, or 48V supplies. With a maximum rating of 90V, it is able to withstand transients without the need for additional transient protection circuitry.

The CL6 is offered in both D-pak and TO-220 packages. The tab on the TO-220 is ground, allowing heatsinking directly to a chassis without the need for electrically insulating spacers.

Overtemperature protection shuts off LED current when die temperature rises above 135°C nominal. Full LED current resumes when die temperature falls below 105°C nominal.

Features:	Benefits:
Built-in reverse polarity protection	No need for an external rectifier
90V max rating	Transient immunity
Overtemperature protection	Increases reliability, tolerates LED shorts
Tab ground	Allows direct heatsinking to chassis



111810

Supertex inc.

Ordering Information / Availability

Part Number	Package Option	Samples	Lead Time
CL6K4-G	3-Lead TO-252 D-Pak	Now	4-5 Weeks ARO
CL6N5-G	3-Lead TO-220		

-G indicates the part is RoHS compliant (Green).



Product Contact

For any questions regarding the CL6, please contact your local area Supertex sales office, or contact the main office in the US at:

Telephone: 800-222-8888
 Fax: 408-222-4895
 EMail: mktg@supertex.com
 Website: www.supertex.com

Supertex inc.
 1235 Bordeaux Drive, Sunnyvale, CA 94089