

Product Summary Sheet

CL520/CL525

Linear, Fixed Constant Current LED Drivers

Applications:

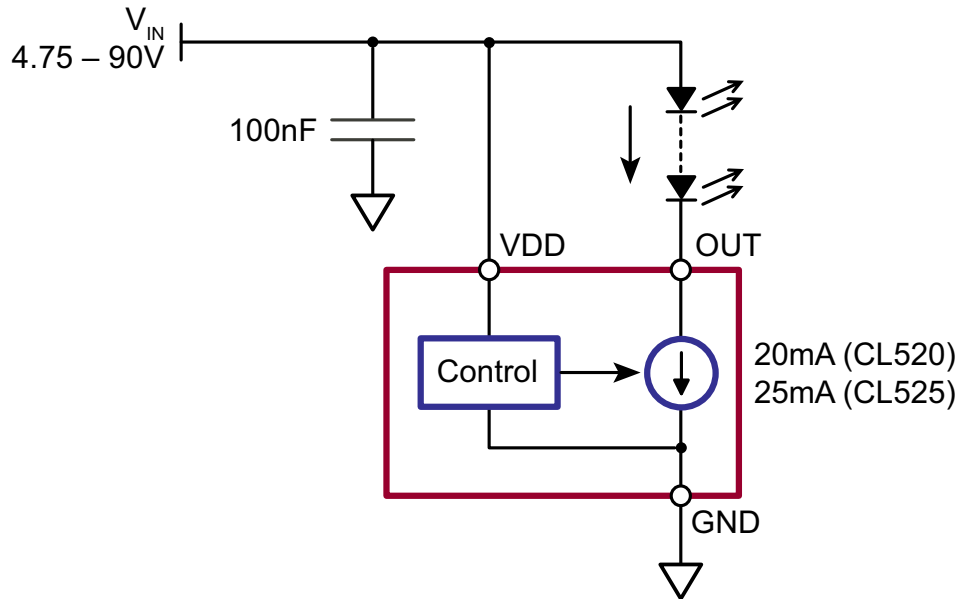
- ▶ Specialty lighting
- ▶ Low voltage signage



TO-252 D-PAK (K4)



TO-92 (N3)



Typical Application Circuit

Product Overview:

The CL520 and CL525 are fixed, linear current regulators designed for driving LEDs at 20 or 25mA respectively. With maximum ratings of 90V, they are able to withstand transients without the need for additional transient protection circuitry. They are ideally suited for applications employing single or multiple LEDs.

The minimum dropout voltage of 1.0V accommodates extra LEDs, permits lower supply voltages, and provides more efficient operation.

The CL520 and CL525 are offered in TO-252(D-PAK) and TO-92 packages.

Features:	Benefits:
1.0V dropout	Accommodates extra LEDs, permits a lower supply voltage, and provides more efficient operation
Temperature compensated current	Consistent brightness regardless of temperature
90V rating for transient immunity	No additional transient protection circuitry required
D-Pak and TO-92 packages	Simple circuit design, requires just a single bypass capacitor and allows for heatsinking



111710

Supertex inc

Linear, Fixed Constant Current LED Drivers

Ordering Information / Availability

Part Number	Package Option	Samples	Lead Time
CL520K4-G	TO-252 (D-PAK)	NOW	4-6 Weeks ARO
CL520N3-G	TO-92	NOW	4-6 Weeks ARO
CL525K4-G	TO-252 (D-PAK)	NOW	4-6 Weeks ARO
CL525N3-G	TO-92	NOW	4-6 Weeks ARO

-G indicates the part is RoHS compliant (Green).



Product Contact

For any questions regarding the CL520 or CL525 please contact your local area Supertex sales office, or contact the main office in the US at:

Telephone: 800-222-8888
 Fax: 408-222-4895
 EMail: mktg@supertex.com
 Website: www.supertex.com

Supertex inc
 1235 Bordeaux Drive, Sunnyvale, CA 94089