

Product Summary Sheet

CL320/CL325/CL330

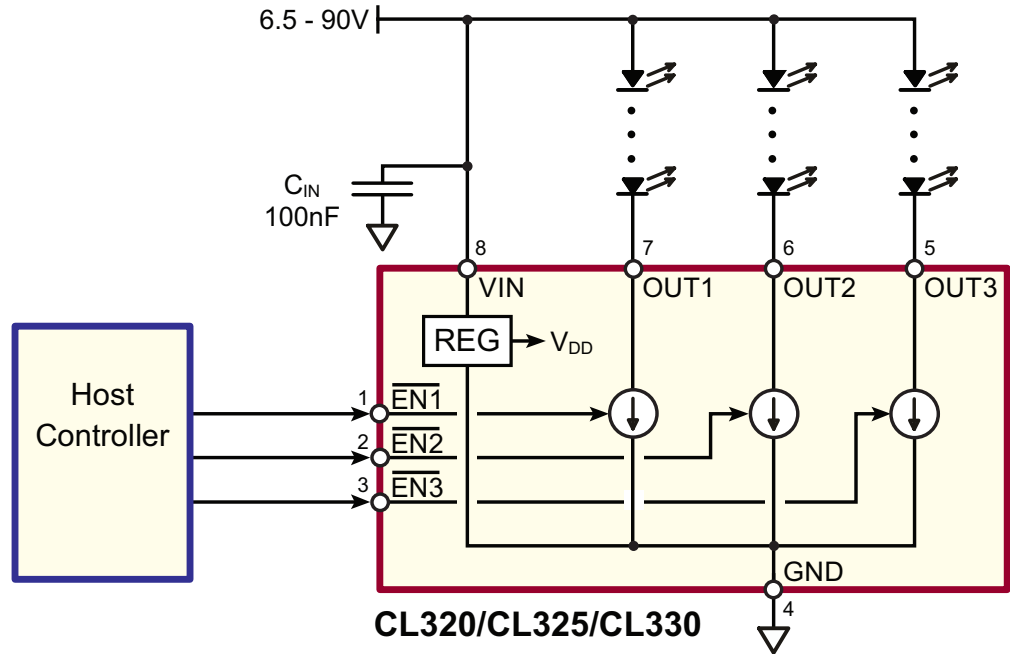
3-Channel Linear LED Drivers

Applications:

- ▶ LCD backlighting
- ▶ Indicator lamps



8-Lead SOIC (w/Heat Slug)



CL320/CL325/CL330

Typical Application Circuit

Product Overview:

The CL320/25/30 are designed to drive 3 strings of LEDs at a constant current of 20/25/30mA, respectively.

Other currents in the range of 20 - 30mA are available by special order. Drive current is fixed, with a $\pm 6\%$ tolerance over a V_{OUT} range of 4–15V.

Separate enable pins for each channel allow for PWM dimming, 3-step linear dimming, or individual disconnection of faulty LED strings.

Over-temperature protection circuitry shuts down all 3 channels when the nominal die temperature reaches 135°C. Normal operation resumes when the die temperature drops by 30°C.

They are available in the 8-Lead SOIC (w/Heat Slug) package and only require a single bypass capacitor which may be shared among several drivers.

Features:	Benefits:
Temperature compensated current	Consistent brightness regardless of temperature
Separate enable pins for each channel	Allow PWM dimming, 3-step linear dimming, and individual disconnection of faulty LED strings
Over-temperature protection	Protects IC from failure in cases of overheating
8-Lead SOIC (w/Heat Slug) package	Simple design, requires just a single bypass capacitor



CL320/CL325/CL330

3-Channel Linear LED Drivers

Ordering Information / Availability

Part Number	Package Option	Samples	Lead Time
CL320SG-G	8-Lead SOIC (w/Heat Slug)	Now	4-6 Weeks ARO
CL325SG-G			
CL330SG-G			

-G indicates the part is RoHS compliant (Green).



Product Contact

For any questions regarding the CL320, CL325, or the CL330, please contact your local area Supertex sales office, or contact the main office in the US at:

Telephone: 800-222-8888
Fax: 408-222-4895
EMail: mktg@supertex.com
Website: www.supertex.com

Supertex inc.
1235 Bordeaux Drive, Sunnyvale, CA 94089