

Product Summary Sheet

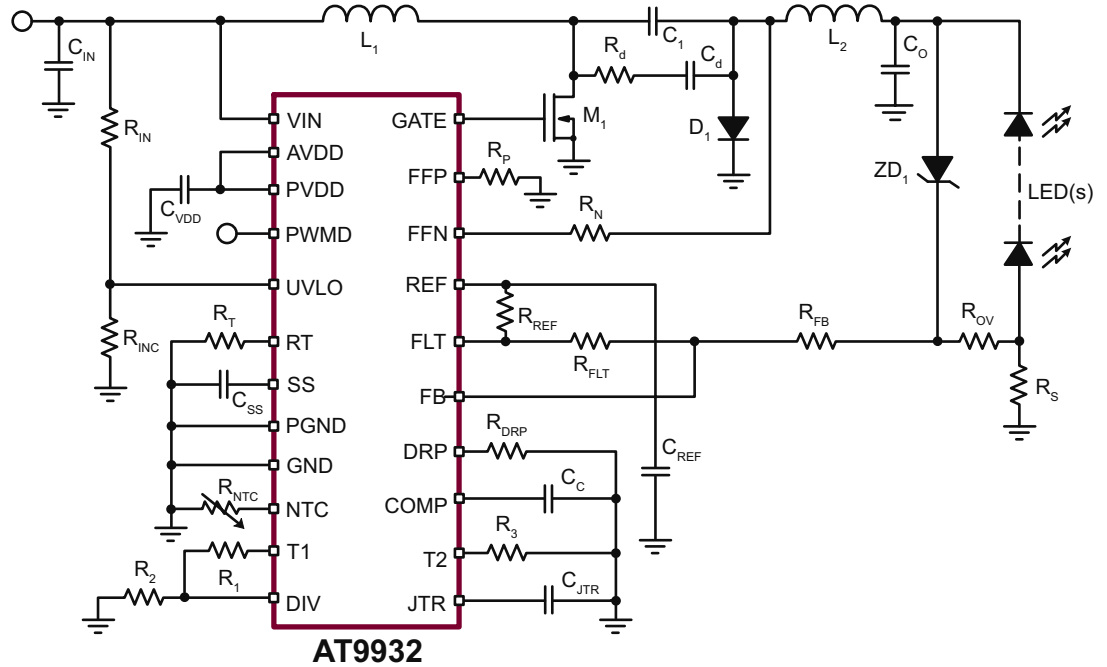
Applications:

- ▶ Automobile lighting
- ▶ Battery powered LED lamps
- ▶ Other low voltage AC/DC or DC/DC LED drivers



24-Lead TSSOP (TS)

AT9932 Automotive Boost-Buck LED Lamp Driver IC



Typical Application Circuit

Product Overview:

The AT9932 is an advanced fixed frequency PWM controller IC designed to control an LED lamp driver using a boost-buck topology that can step the input voltage up or down automatically. The IC provides fast output current transient response and very low susceptibility to input voltage transients, which allows the lamp driver to pass the rigorous electrical transient requirements of SAE J1455 or ISO 7637-2, making the AT9932 an ultimate solution for automobile lighting. Capacitive isolation protects the LED Lamp from failure of the switching MOSFET.

The AT9932 features a unique feed-forward current control scheme, differential output current sensing, soft start, protection from short or open LED load. Switching frequency can be programmed with a single external resistor.

The AT9932 includes a temperature fold-back of the output current using an external NTC resistor. This feature allows maximizing the light output of the LED load over the entire operating temperature range.

Features:	Benefits:
AEC-Q100 compliant	Certified for automotive applications
Feed forward control scheme	Very low susceptibility to input voltage transients; Well-suited for automotive LED lighting applications
Temperature foldback with external NTC resistor	Allows programming of the output current in accordance with the temperature derating characteristics provided by LED manufacturers
Input undervoltage, short and open LED protection	Protects LEDs from harm during voltage fluctuations



071210

Supertex inc.

AT9932

Boost-Buck LED Lamp Driver IC

Ordering Information / Availability

<u>Part Number</u>	<u>Package Option</u>	<u>Samples</u>	<u>Product Availability</u>
AT9932TS-G	24-Lead TSSOP (Green)	Now	4-6 wks ARO

-G indicates the part is RoHS compliant (Green).



Product Contact

For any questions regarding the AT9932 please contact your local area Supertex sales office, or contact the main office in the US at:

Telephone: 800-222-8888
Fax: 408-222-4895
E-mail: mktg@supertex.com
Web site: www.supertex.com

Supertex inc.
1235 Bordeaux Drive, Sunnyvale, CA